



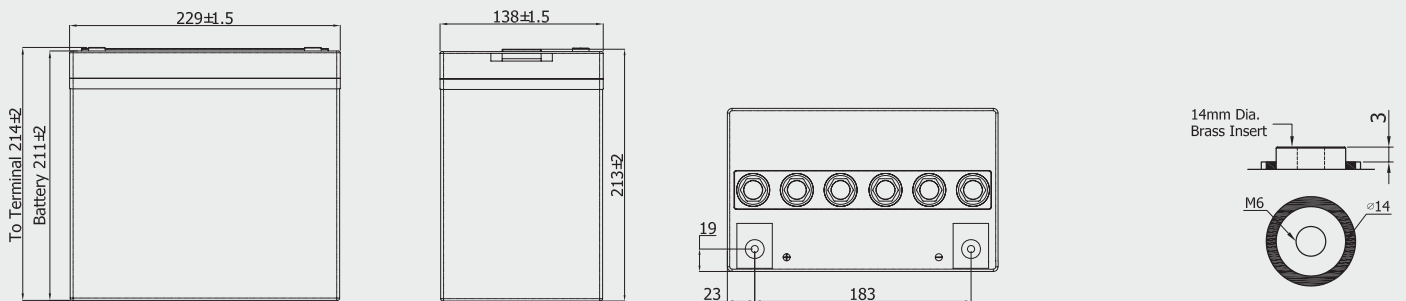
GEL VRLA Battery **SPG 12-55**

Specifications

Nominal Voltage	12 V				
Rated Capacity (20 °C)	20hr Rate (1,80V/cell)	10hr Rate (1,80V/cell)	5hr Rate (1,70V/cell)	1hr Rate (1,60V/cell)	
	49,3 Ah	43,5 Ah	40,7 Ah	32,7 Ah	
Dimensions (mm) & Weight (kg)	Length	Width	Height to terminals	Height of case	Weight
	229mm	138mm	214mm	213mm	17,5 kg
Number / Type of Terminals	2 / M6				

Technical Characteristics

Design Life at 20°C	12 years
Internal Resistance (Fully charged - 20°C)	6,5 mΩ
Short-circuit current	1700 A
Max Charging Current	14 A
Min safe end Discharge Voltage	1,60 V/cell
Self discharge per month at 20°C	3%
Recommended Charging Voltage at 20°C	Stand-by use (V/cell): 2,25 to 2,30 Cycle use (V/cell): 2,35 to 2,40
Container Material	ABS-UL94 HB
Electrolyte Type	Gelled Sulfuric Acid
Type of plates / Alloy	Flat plates / Lead-Calcium-Tin alloy
Type of Separator	Microporous polymer
Valve Type / Operational Pressure	Rubber / 1-3 psi (70-200 mbar)
Operating Temperature Range	-20 to +50 °C
Storage time at 20°C	9 months



SUNLIGHT SYSTEMS S.A.

Headquarters

23rd Km. N.R. Athens - Lamia,
145 65 Agios Stefanos - Attica, Greece
Tel.: +30 210 624 5400,
Fax: +30 210 624 5409

Manufacturing Plant

Neo Olvio
67 200 Xanthi, Greece
Tel.: +30 25410 48100,
Fax: +30 25410 95446

SUNLIGHT
creating energy
www.sunlight.gr