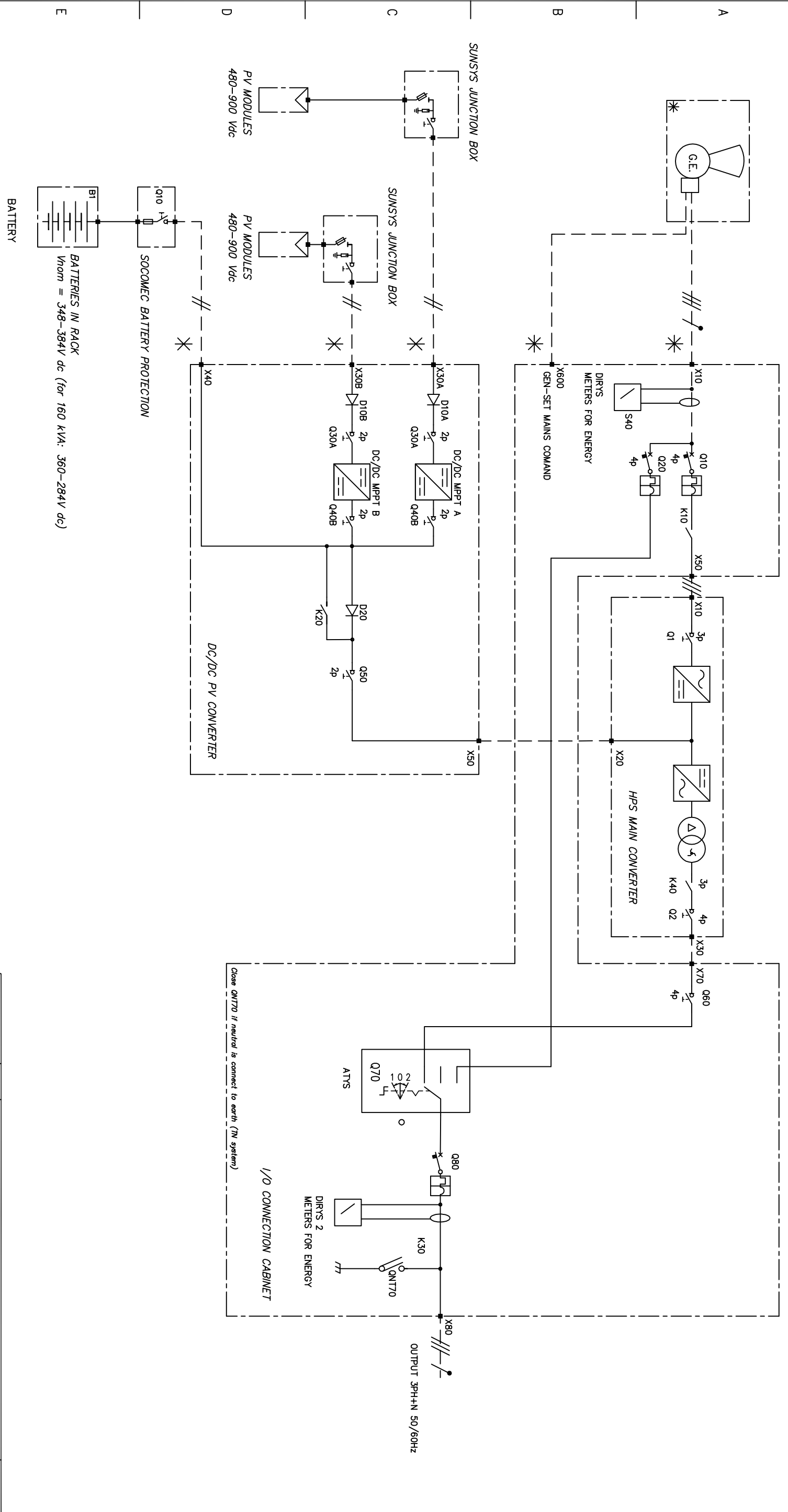


01	02	03	04	05	06	07	08	09	10	11	12	13	14	15	16	17	18	19	20	21	22	23	24	25	26
----	----	----	----	----	----	----	----	----	----	----	----	----	----	----	----	----	----	----	----	----	----	----	----	----	----



* NOT PROVIDED BY SOCOMECC

SOCOMECC HPS 100-160 KVA
Principle diagram B

Data DATE		27/01/2014		REV. ISSUED BY		00 A.TAMIOZZO		Modifiche MODIFICATIONS		FIRST EMISSION		VERIFICATO CHECKED BY		A.FONTANA		APPROVATO APPROVED BY		A.TAMIOZZO		RELEASE		R00	
<p style="text-align: center;">Socomec Innovative Power Solutions</p>																							
<p style="text-align: center;">3 DIS. OFF-HPS-0001 1 SEL FOGLIO: 01 A</p>																							

Property of Socomec UPS. All rights reserved. No parts of this document may be used without the written permission of Socomec UPS. Socomec UPS reserves the right to add, modify or delete any information of this document at any time and without notice