



More Production

%98,65 Max. Productivity



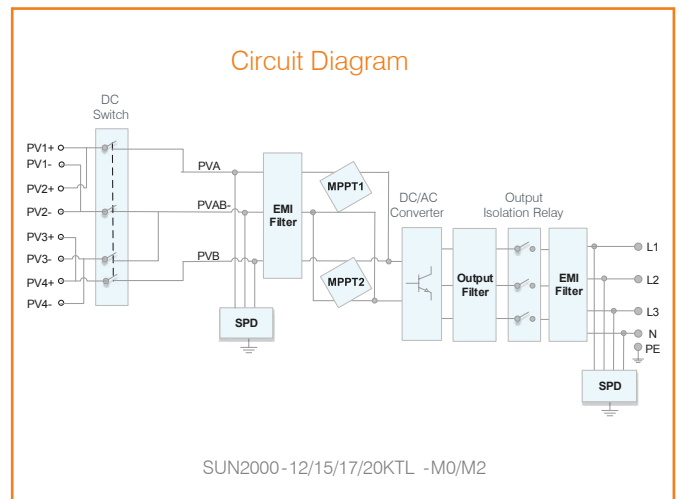
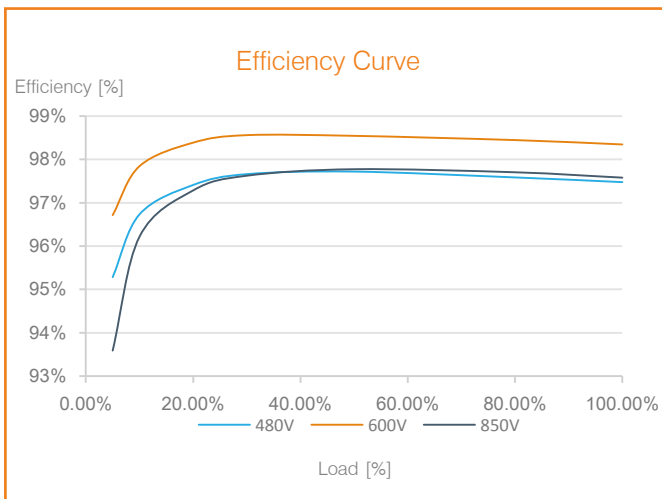
Simple & Practical

25 kg



Safe & Secure

Arc Fail Protection



SUN2000-12/15/17/20KTL -M0/M2

SUN2000-12/15/17/20KTL-Mo

Technical Specification

Technical Specification	SUN2000 -12KTL-MO	SUN2000 -15KTL-MO	SUN2000 -17KTL-MO	SUN2000 -20KTL-MO
Efficiency				
Max. efficiency	98.50%	98.65%	98.65%	98.65%
European weighted efficiency	98.00%	98.30%	98.30%	98.30%
Input				
Recommended max. PV power	24,000 Wp	26,880 Wp	26,880 Wp	26,880 Wp
Max. input voltage ¹	1,080 V			
Operating voltage range ²	160 V ~ 950 V			
Start voltage	200 V			
Rated input voltage	600 V			
Max. input current per MPPT	22 A			
Max. short -circuit current	30 A			
Number of MPP trackers	2			
Max. input number per MPP tracker	2			
Output				
Grid connection	Three phase			
Rated output power	12,000 W	15,000 W	17,000 W	20,000 W
Max. apparent power	13,200 VA	16,500 VA	18,700 VA	22,000 VA
Rated output voltage	220 Vac / 380 Vac, 230 Vac / 400 Vac, 3W + N + PE			
Rated AC grid frequency	50 Hz / 60 H z			
Max. output current	20 A	25.2 A	28.5 A	33.5 A
Adjustable power factor	0.8 leading ... 0.8 lagging			
Max. total harmonic distortion	≤ 3 %			
Features & Protections				
Input -side disconnection device	Yes			
Anti -islanding protection	Yes			
AC over -current protection	Yes			
AC short -circuit protection	Yes			
AC over -voltage protection	Yes			
DC reverse -polarity protection	Yes			
DC surge protection	Type II			
AC surge protection	Yes, compatible TYPE II protection class according to EN/IEC 61643 -11			
Residual current monitoring unit	Yes			
Arc fault protection	Yes			
Ripple receiver control	Yes			
General Data				
Operation temperature range	-25 ~ +60°C (-13 °F ~ 140 °F)			
Relative humidity	0 % RH ~ 100% RH			
Max. operating altitude	0 - 4,000 m (13,123 ft.) (Derating above 2000 m)			
Cooling	Natural Convection			
Display	LED indicators; integrated WLAN + FusionSolar APP			
Communication	RS485; WLAN/Ethernet via Smart Dongle -WLAN -FE (Optional) 4G / 3G / 2G via Smart Dongle -4G (Optional)			
Weight (with mounting plate)	25 kg			
Dimensions (W x H x D) (incl. mounting plate)	525 x 470 x 262 mm (20.7 x 18.5 x 10.3 inch)			
Degree of protection	IP65			
Nighttime Power Consumption	< 5.5 W			
Standard Compliance (more available upon request)				
Safety	EN/IEC 62109 -1, EN/IEC 62109 -2			
Grid connection standards	G98, G99, EN 50438, EN50549, CEI 0 -21, CEI 0-16, VDE -AR-N-4105, VDE -AR-N-4110, AS 4777, C10/11, ABNT, UTE C15-712, RD 1699, RD 661, PO 12.3, TOR D4, IEC61727, IEC62116, DEWA			

