

SUN2000-185KTL-H1
Smart Array Inverter



9
MPP Trackers



99.0%
Max. Efficiency



String -level
Management



Smart I -V Curve
Diagnosis Supported



MBUS
Supported



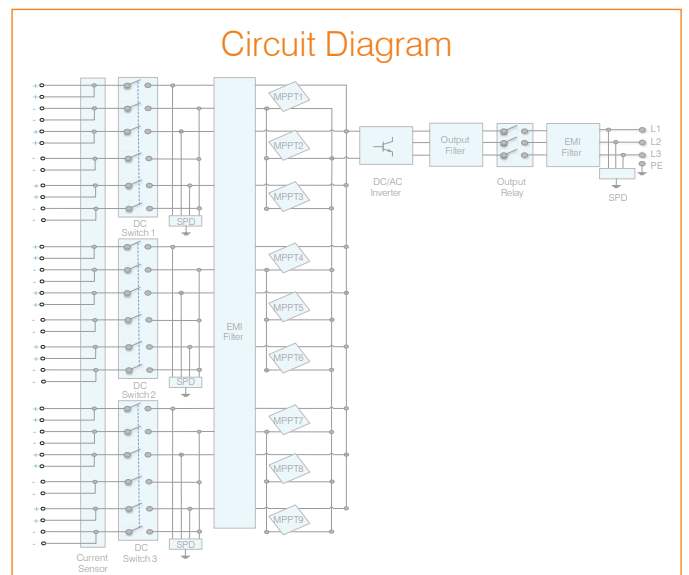
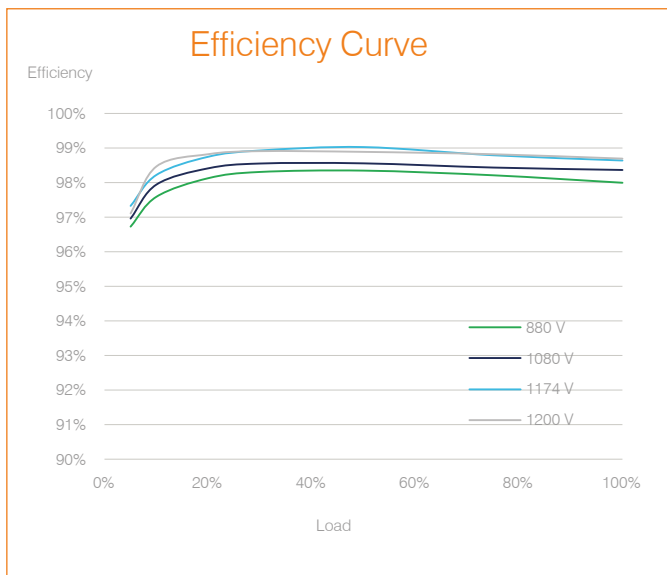
Fuse Free
Design



Surge Arresters
for DC & AC



IP66
Protection



Efficiency

Max. Efficiency	99.03%
European Efficiency	98.69%

Input

Max. Input Voltage	1,500 V
Max. Current per MPPT	26 A
Max. Short Circuit Current per MPPT	40 A
Start Voltage	550 V
MPPT Operating Voltage Range	500 V ~ 1,500 V
Nominal Input Voltage	1,080 V
Number of Inputs	18
Number of MPP Trackers	9

Output

Nominal AC Active Power	175,000 W @40 °C, 168,000 W @45 °C, 160,000 W @50 °C
Max. AC Apparent Power	185,000 VA
Max. AC Active Power (cos φ=1)	185,000 W
Nominal Output Voltage	800 V, 3W + PE
Rated AC Grid Frequency	50 Hz / 60 Hz
Nominal Output Current	126.3 A @40 °C, 121.3 A @45 °C, 115.5 A @50 °C
Max. Output Current	134.9 A
Adjustable Power Factor Range	0.8 LG ... 0.8 LD
Max. Total Harmonic Distortion	< 3%

Protection

Input -side Disconnection Device	Yes
Anti -islanding Protection	Yes
AC Overcurrent Protection	Yes
DC Reverse-polarity Protection	Yes
PV-array String Fault Monitoring	Yes
DC Surge Arrester	Type II
AC Surge Arrester	Type II
DC Insulation Resistance Detection	Yes
Residual Current Monitoring Unit	Yes

Communication

Display	LED Indicators, WLAN + APP
USB	Yes
MBUS	Yes
RS485	Yes

General

Dimensions (W x H x D)	1,035 x 700 x 365 mm (40.7 x 27.6 x 14.4 inch)
Weight (with mounting plate)	84 kg (185.2 lb.)
Operating Temperature Range	-25°C ~ 60°C (-13°F ~ 140°F)
Cooling Method	Smart Air Cooling
Max. Operating Altitude without Derating	4,000 m (13,123 ft.)
Relative Humidity	0 ~ 100%
DC Connector	Staubli MC4 EVO2
AC Connector	Waterproof Connector + OT/DT Terminal
Protection Degree	IP66
Topology	Transformerless

Standard Compliance (more available upon request)

Certificates	EN 62109-1/-2, IEC 62109-1/-2, EN 50530, IEC 62116 , IEC 60068, IEC 61683 , IEC 61727, P.O. 12.3, RD 1699, RD 661, RD 413, RD 1565, RD 1663, UNE 206007 -1, UNE 206006
--------------	--

